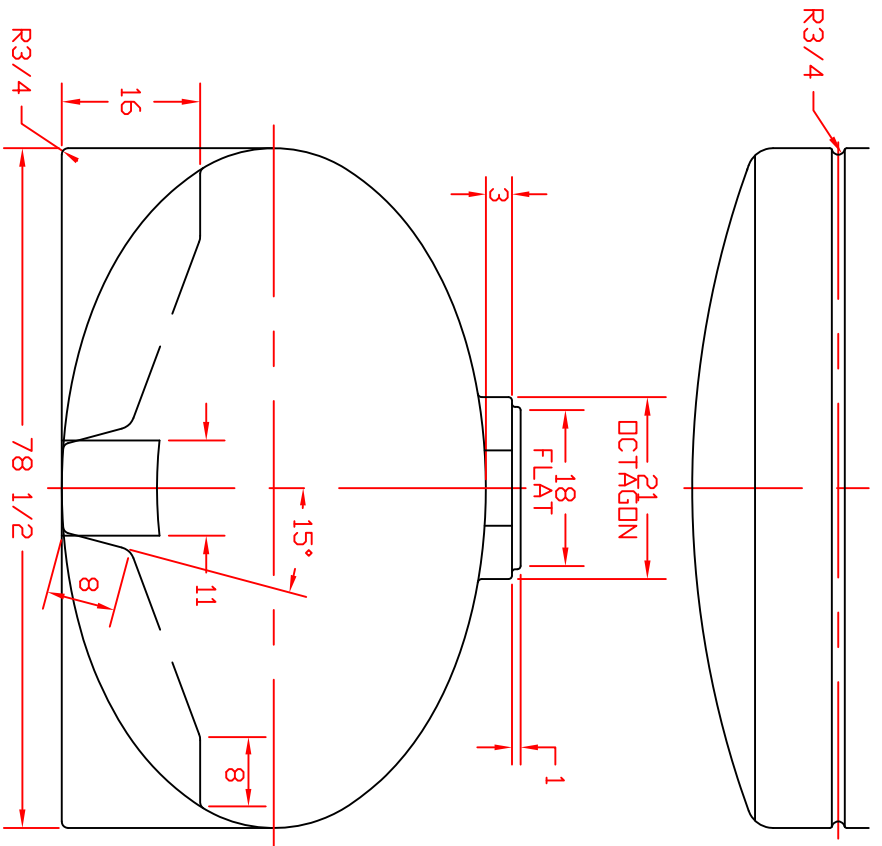
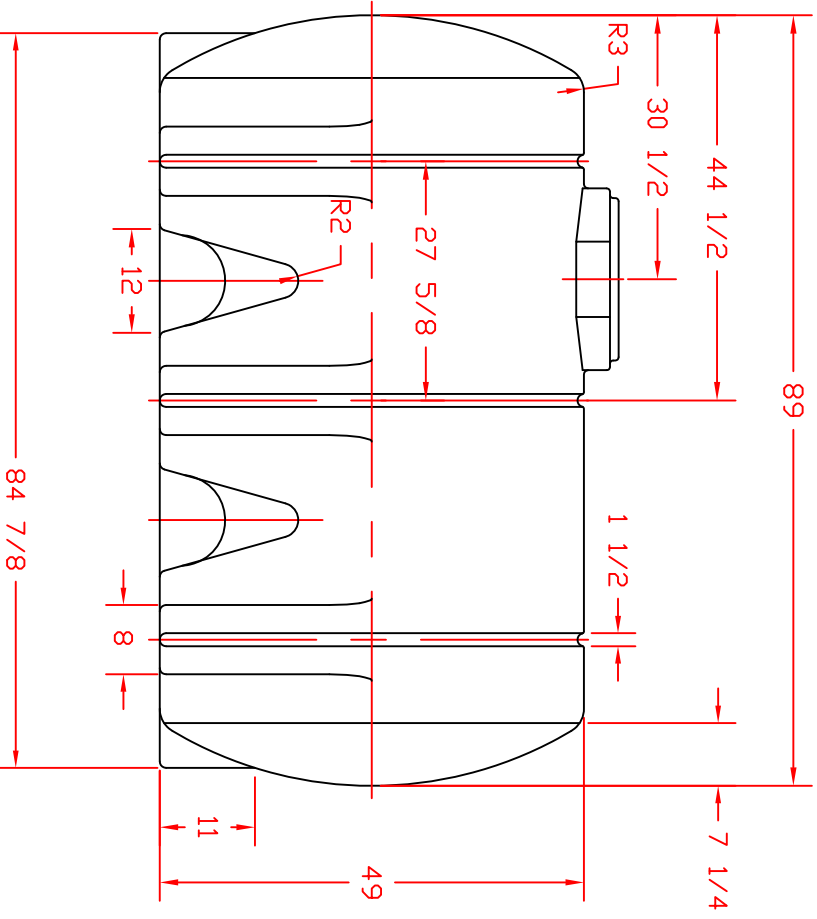


REVISIONS				
ZONE	REV	DESCRIPTION	DATE	APPROVED
	E	REDRAWN	25JUN97	
	F	SPARGER FLATS REVISED	23OCT98	
	G	SPARGER FLATS RMVD.	07MAR01	



NORWESCO
 ST. BONIFACIUS, MN
 1035 GALLON ELLIPTICAL
 LEG TANK

JTP	25JUN97	SCALE 1/16	DWG NO.	SHEET
SIZE	FSOM NO.	REV	G	